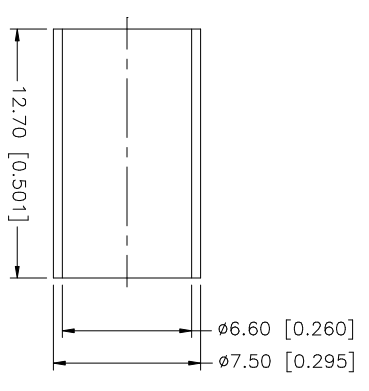
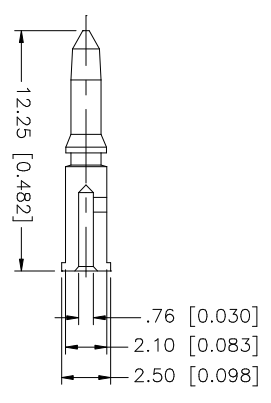
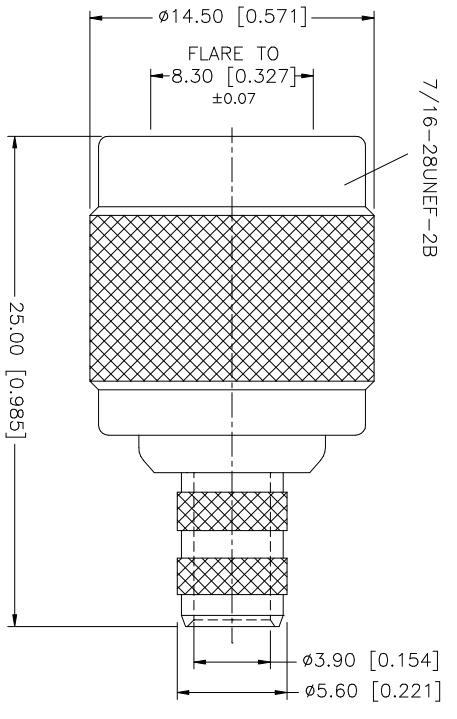
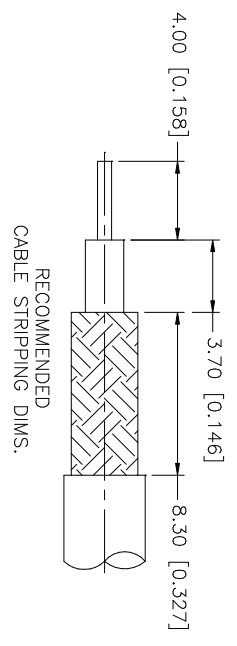


REV.	DATE	DESCRIPTION
NC	07/31/05	INITIAL RELEASE



NOTE:
 1. CRIMPED FERRULE
 HEX CRIMP SIZE .255"
 2. CRIMPED CONTACT PIN
 HEX CRIMP SIZE .068"

NO.	DESCRIPTION	MATERIAL	FINISH	QTY	UNLESS OTHERWISE SPECIFIED, DIMENSIONS ARE IN INCHES AND FOR CUSTOMER REFERENCE ONLY. TOLERANCES FOR MILLIMETERS ARE: 0.3 - 8mm ± 0.20mm 8 - 30mm ± 0.40mm 30 - 120mm ± 0.50mm UNLESS OTHERWISE SPECIFIED, DIMENSIONS FOR INCHES ARE: .020 - .315 = ± 0.007" .315 - 1.180 = ± 0.015" 1.180 - 4.724 = ± 0.020"	DO NOT SCALE DRAWING	APPROVALS	DATE	PART DESCRIPTION				
8							DRAWN	G.R.S.	07/31/05	<p style="text-align: center;">Amphenol Connex</p> <p style="text-align: center;">TNC CRIMP PLUG</p> <p style="text-align: center;">122111</p>			
7							CHECKED						
6							ISSUED						
5							SHEET	1 OF 1					
4	FERRULE	COPPER	NICKEL	1									
3	CONTACT PIN	BRASS	GOLD	1									
2	INSULATOR	DELURIN	NATURAL	1									
1	SHELL/BODY	BRASS	NICKEL	1									
DESCRIPTION					MATERIAL	FINISH	QTY	CAD FILE C:/122/122111.DWG		DWG. NO. 122111.DWG	REV. NC	SIZE A	SCALE NA